



IREL



BRIGHT
ENERGY
EFFICIENT
ECO -
FRIENDLY

LED Street Light
IREL LED 96

IREL

IREL LED Street Light 96 is designed to light streets, crossroads, parking spaces, industrial halls, ...

LED Street Light

IREL LED 96



Measurement and Testing:
**SIQ - SLOVENIAN INSTITUTE
OF QUALITY AND METROLOGY**

Advantages of LED Street Lighting:

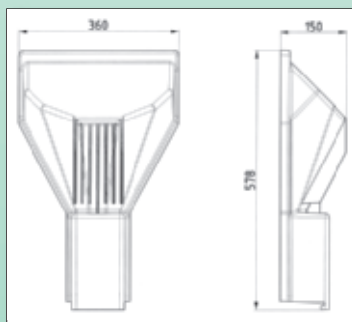
- Power consumption is lower up to 70% than in comparison to mercury and sodium spotlights.
- Life expectancy for LED Street Lights at 10 hours daily use is more than 10 years.
- Controlled light beam, which provides even lighting of street surfaces.
- Due to the universal attachment and to the different console versions LED Lights can be installed to various pylons and lamp posts.
- Modules directly have no high voltage, which enables safe change of modules.
- LED diodes light up without delay.
- LED lights do not contain lead, mercury or environmentally unfriendly substances.
- IREL LED light radiates 0 % of light flux over the horizontal.
- Object outlines and their colors lit with IREL LED light are recognizable and visible.
- Do to outstanding features and lower temperatures the insects don't get harmed, lights don't get dirty and stay clean longer.
- Due to the reduction of electricity consumption the results are directly being shown as reduction of CO₂ emissions.
- Light beam regulation possibility.
- The LED Lights housing is aluminium, which assures long life expectancy. Resistant to weather effects and available in different colors (RAL color scale).

Use Purposes

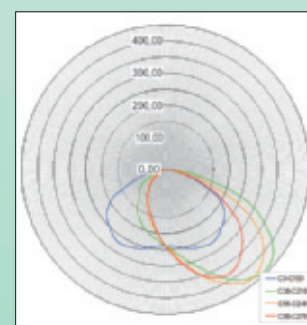
The IREL LED Street Light 96 is designed to light high speed traffic streets, where the required lighting level is up to 1 cd/m² (Street category ME3). Also appropriate for parking spaces and industrial halls. Recommended installation height 9 - 12 m.

Technical data IREL LED 96

Light Source: **96 LED**
Light Flux: **5.689,08 lm**
Color Temperature: **6000 K or 4000 K**
Consumption: **114,6 W**
Degree of Protection: **IP 66**
Dimensions: **578 mm x 360 mm x 150 mm**
Weight: **7,3 kg**



Light Distribution Curve

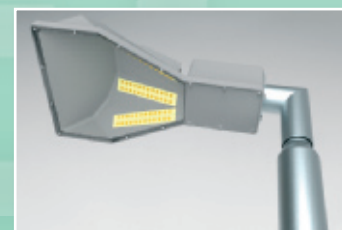
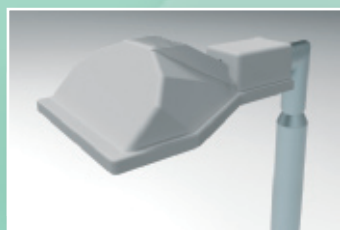


Developed and made in Slovenia.

In accordance with *Decree on limit values due to light pollution of environment* (UL RS št.: 81/2007)

SOURCE: **Measurement
Certificate MPI 00072/2010**

University of Ljubljana
Faculty of Electrical Engineering
Laboratory for Lighting and
Photometry



ISKRA-RELEJI
tovarna relejev d.d.
Štatenberg 88
SI-2321 Makole

Tel.: +386 2 803 10 10
Fax: +386 2 803 10 33
E-mail: mail@iskra-releji.si
<http://www.iskra-releji.si>

Sales department
Tel.: +386 2 803 10 20
Fax: +386 2 803 10 21
E-mail: sales@iskra-releji.si