



**IREL**



BRIGHT  
ENERGY  
EFFICIENT  
ECO -  
FRIENDLY

LED Street Light  
**IREL LED 48**

**IREL**

IREL LED Street Light 48 is designed to light streets, sidewalks, bicycle tracks, parking spaces, industrial halls, ...

# LED Street Light

## IREL LED 48



Measurement and Testing:  
**SIQ – SLOVENIAN INSTITUTE  
OF QUALITY AND METROLOGY**

### Advantages of LED Street Lighting:

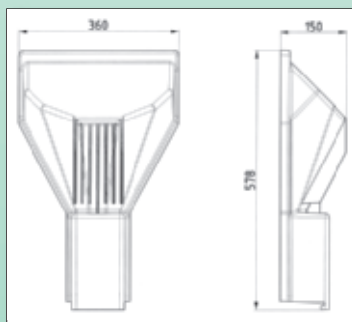
- Power consumption is lower up to 70% than in comparison to mercury and sodium spotlights.
- Life expectancy for LED Street Lights at 10 hours daily use is more than 10 years.
- Controlled light beam, which provides even lighting of street surfaces.
- Due to the universal attachment and to the different console versions LED Lights can be installed to various pylons and lamp posts.
- Modules directly have no high voltage, which enables safe change of modules.
- LED diodes light up without delay.
- LED lights do not contain lead, mercury or environmentally unfriendly substances.
- IREL LED light radiates 0 % of light flux over the horizontal.
- Object outlines and their colors lit with IREL LED light are recognizable and visible.
- Do to outstanding features and lower temperatures the insects don't get harmed, lights don't get dirty and stay clean longer.
- Due to the reduction of electricity consumption the results are directly being shown as reduction of CO<sub>2</sub> emissions.
- Light beam regulation possibility.
- The LED Lights housing is aluminium, which assures long life expectancy. Resistant to weather effects and available in different colors (RAL color scale).

### Use Purposes

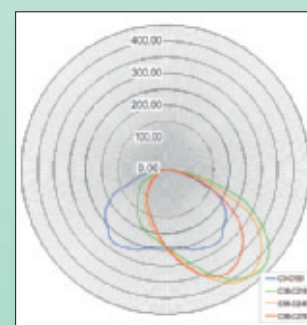
The IREL LED Street Light 48 is designed to light streets, where the required lighting level is up to 0,5cd/m<sup>2</sup> (Street category ME5). Also appropriate for streets, parking spaces, sidewalks and industrial halls. Recommended installation height 5 – 7 m.

### Technical data IREL LED 48

Light Source: **48 LED**  
Light Flux: **2.778,85 lm**  
Color Temperature: **6000 K or 4000 K**  
Consumption: **56,7 W**  
Degree of Protection: **IP 66**  
Dimensions: **578 mm x 360 mm x 150 mm**  
Weight: **7,3 kg**



### Light Distribution Curve

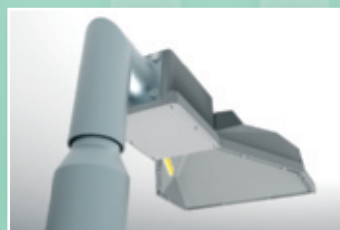
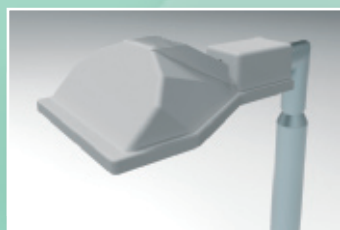


SOURCE: **Measurement  
Certificate MPI 00070/2010**

University of Ljubljana  
Faculty of Electrical Engineering  
Laboratory for Lighting and  
Photometry

### Developed and made in Slovenia.

In accordance with *Decree on limit values due to light pollution of environment* (UL RS št.: 81/2007)



**ISKRA-RELEJI**  
tovarna relejev d.d.  
Štatenberg 88  
SI-2321 Makole

Tel.: +386 2 803 10 10  
Fax: +386 2 803 10 33  
E-mail: [mail@iskra-releji.si](mailto:mail@iskra-releji.si)  
<http://www.iskra-releji.si>

**Sales department**  
Tel.: +386 2 803 10 20  
Fax: +386 2 803 10 21  
E-mail: [sales@iskra-releji.si](mailto:sales@iskra-releji.si)