



**IREL**



BRIGHT  
ENERGY  
EFFICIENT  
ECO -  
FRIENDLY

LED Street Light  
**IREL LED 24**

**IREL**

IREL LED Street Light 24 is designed to light sidewalks, footpaths, bicycle tracks, parking spaces, industrial halls, streets, ...

# LED Street Light

## IREL LED 24



Measurement and Testing:  
**SIQ - SLOVENIAN INSTITUTE  
OF QUALITY AND METROLOGY**

### Advantages of LED Street Lighting:

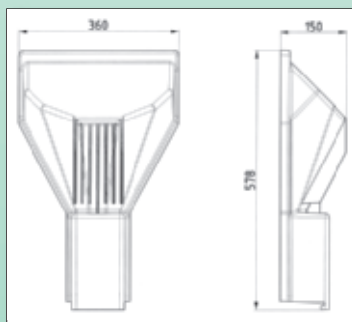
- Power consumption is lower up to 70% than in comparison to mercury and sodium spotlights.
- Life expectancy for LED Street Lights at 10 hours daily use is more than 10 years.
- Controlled light beam, which provides even lighting of street surfaces.
- Due to the universal attachment and to the different console versions LED Lights can be installed to various pylons and lamp posts.
- Modules directly have no high voltage, which enables safe change of modules.
- LED diodes light up without delay.
- LED lights do not contain lead, mercury or environmentally unfriendly substances.
- IREL LED light radiates 0 % of light flux over the horizontal.
- Object outlines and their colors lit with IREL LED light are recognizable and visible.
- Do to outstanding features and lower temperatures the insects don't get harmed, lights don't get dirty and stay clean longer.
- Due to the reduction of electricity consumption the results are directly being shown as reduction of CO<sub>2</sub> emissions.
- Light beam regulation possibility.
- The LED Lights housing is aluminium, which assures long life expectancy. Resistant to weather effects and available in different colors (RAL color scale).

### Use Purposes

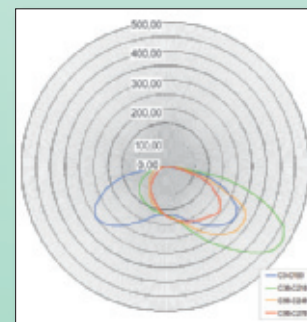
The IREL LED Street Light 24 is designed to light sidewalks, footpaths, bicycle tracks, parking spaces, industrial halls, streets, ..., where the level of lighting has to be 5Lux (Lighting class P4). Recommended installation height up to 5 m.

### Technical data IREL LED 24

Light Source: **24 LED**  
Light Flux: **1.373 lm**  
Color Temperature: **6000 K or 4000 K**  
Consumption: **28,5 W**  
Degree of Protection: **IP 66**  
Dimensions: **578 mm x 360 mm x 150 mm**  
Weight: **7,3 kg**



### Light Distribution Curve

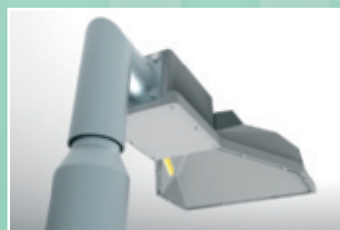
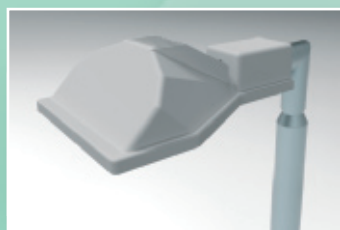


### Developed and made in Slovenia.

In accordance with *Decree on limit values due to light pollution of environment* (UL RS št.: 81/2007)

SOURCE: **Measurement  
Certificate MPI 00071/2010**

University of Ljubljana  
Faculty of Electrical Engineering  
Laboratory for Lighting and  
Photometry



**ISKRA-RELEJI**  
tovarna relejev d.d.  
Štatenberg 88  
SI-2321 Makole

Tel.: +386 2 803 10 10  
Fax: +386 2 803 10 33  
E-mail: [mail@iskra-releji.si](mailto:mail@iskra-releji.si)  
<http://www.iskra-releji.si>

**Sales department**  
Tel.: +386 2 803 10 20  
Fax: +386 2 803 10 21  
E-mail: [sales@iskra-releji.si](mailto:sales@iskra-releji.si)